

# Micro Inverter

## PSOL-MS300~800 Series



CE VDE 0126 VDE 4105 EN 50549 INMETRO RD 1699 G 98

### High Craftsmanship and Standards



#### Maximized efficiency

- Individual optimization, se-parate dedicated MPPT for each panel
- New topology design, max. efficiency up to 96.7%



#### High Safety

- Max. DC voltage 60V. No threat for high DC voltage
- Integrated LoM protection function. Ensure the safety of power grid



#### Flexibility

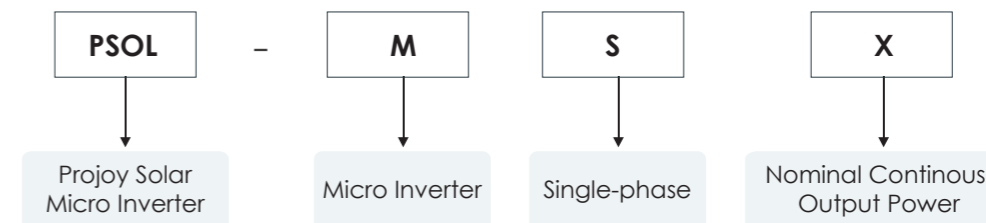
- Suitable for AC module solution
- Plug & play installation, Easy to install



#### High Reliability

- Die casting design and glue filling technology, better thermal dissipation
- Standard 12 years warranty, quality guaranteed

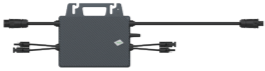
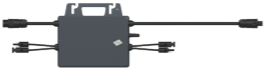
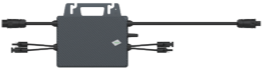
### Select Code



### Technical Data

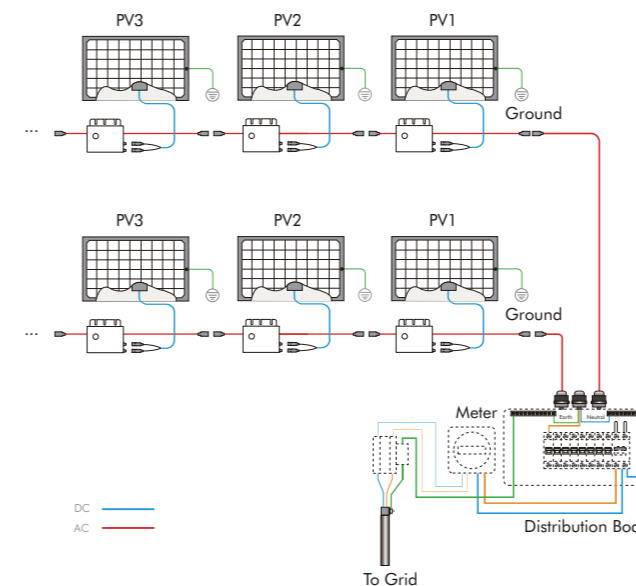
PSOL	MS300	MS350	MS400
<b>Appearance</b>			
<b>Input Data (DC)</b>			
Recommended Module Power (W)	300-550	300-550	300-550
Start up Voltage (V)	22	22	22
MPPT Voltage Range (V)	16~60	16~60	16~60
Max. Input Voltage (V)	60	60	60
Max. Input Current (A)	14	14	14
Max. Input Short-circuit Current (A)	20	20	20
<b>Output Data (AC)</b>			
Max. Continuous Output Power (VA)	300	350	400
Nominal Continuous Output Power (W)	300	350	400
Nominal Output Current (A)	1.3	1.52	1.74
Max. Output Current (A)	1.45	1.59	2
Nominal Output Voltage (V)	220/230/240, L/N/PE		
Nominal Frequency (Hz)	50/60		
Power Factor	>0.99 default, 0.8 leading ... 0.8 lagging		
Output Current Harmonic Distortion	<3%		
Max. Units Per Branch	12	10	9
<b>Efficiency</b>			
Peak Inverter Efficiency	96.7%		
CEC Weighted Efficiency	96.5%		
EU Efficiency	96.3%		
Nominal MPPT Efficiency	99.9%		
Night Time Power Consumption (mW)	< 50		
<b>Mechanical Data</b>			
Dimensions (W×H×D mm)	178 x 153 x 28		
Weight [kg]	1.98		

## Technical Data

PSOL	MS600	MS700	MS800
<b>Appearance</b>			
<b>Input Data (DC)</b>			
Recommended Module Power (W)	300-550	300-550	300-550
Start up Voltage (V)	22	22	22
MPPT Voltage Range (V)	16~60	16~60	16~60
Max. Input Voltage (V)	60	60	60
Max. Input Current (A)	2x14	2x14	2x14
Max. Input Short-circuit Current (A)	2x20	2x20	2x20
Quantity of MPPT	2	2	2
<b>Output Data (AC)</b>			
Max. Continuous Output Power (VA)	600	700	800
Nominal Continuous Output Power (W)	600	700	800
Nominal Output Current (A)	2.61	3.04	3.48
Max. Output Current (A)	3	3.19	4
Nominal Output Voltage (V)	220/230/240, L/N/PE		
Nominal Frequency (Hz)	50/60		
Power Factor	>0.99 default, 0.8 leading ... 0.8 lagging		
Output Current Harmonic Distortion	<3%		
Max. Units Per Branch	6	5	4
<b>Efficiency</b>			
Peak Inverter Efficiency	96.7%		
CEC Weighted Efficiency	96.5%		
EU Efficiency	96.3%		
Nominal MPPT Efficiency	99.9%		
Night Time Power Consumption (mW)	< 50		
<b>Mechanical Data</b>			
Dimensions (W×H×D mm)	250 x 170 x 28		
Weight [kg]	3		

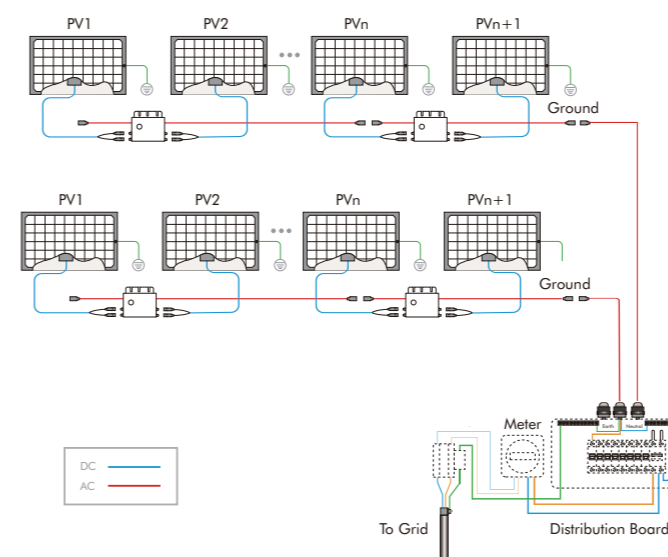
## Diagram

PSOL-MS300, PSOL-MS350, PSOL-MS400



Model	Description
PSOL-MS300	Microinverter, output 300W
PSOL-MS350	Microinverter, output 350W
PSOL-MS400	Microinverter, output 400W
PSOL-MT-F	AC connector, female
PSOL-MP-F	Protect cap, female
PSOL-MT-T	AC connector, male
PSOL-MP-T	Protect cap, male
PSOL-MC200-G2	Interconnection cable, 2m

PSOL-MS600, PSOL-MS700, PSOL-MS800



Model	Description
PSOL-MS600	Microinverter, output 600W
PSOL-MS700	Microinverter, output 700W
PSOL-MS800	Microinverter, output 800W
PSOL-MT-F	AC connector, female
PSOL-MP-F	Protect cap, female
PSOL-MT-T	AC connector, male
PSOL-MP-T	Protect cap, male
PSOL-MC200-G2	Interconnection cable, 2m