

# Product End of Life Instructions

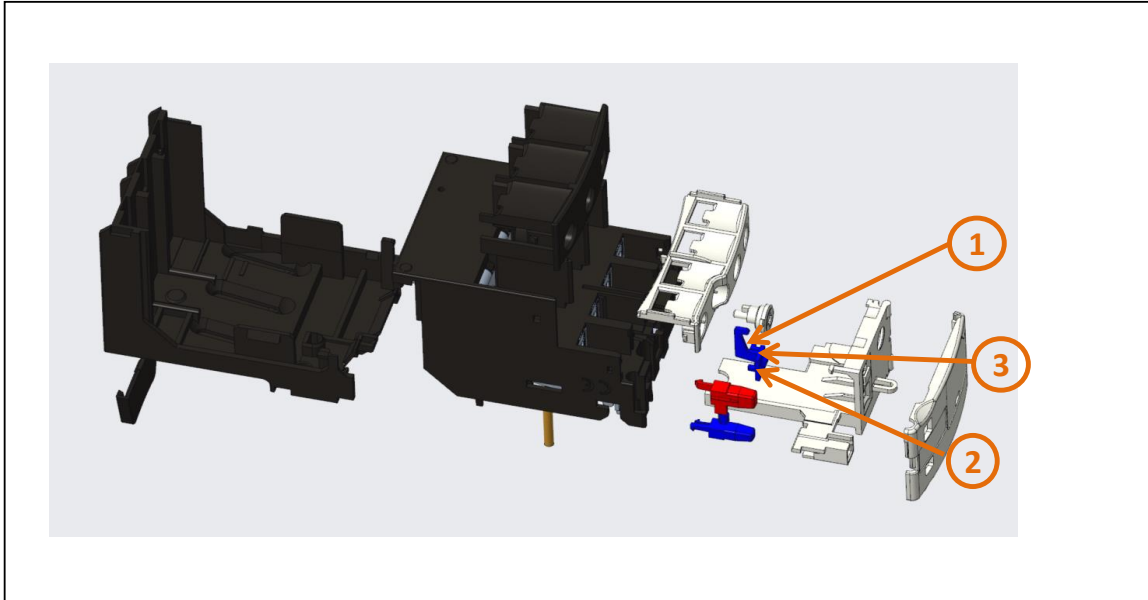
## TeSys Deca thermal overload 1.0-1.6A CL10A

### TeSys Deca





## End of Life Instructions



Recommendation	Number on drawing	Component / Material	Weight (in g)	Comment
To be depolluted	1,2,3	Plastic with bromiated FR	0.85	

## Product description

Manufacturer identification	Schneider Electric Industries SAS
Brand name	Schneider Electric
Product function	The main purpose of the thermal overload relays is to detect overload currents in order to protect the motor
Product reference	LRD06
Additional similar product references	DPER01 DPER02 DPER03 DPER04 DPER05 DPER06 DPER07 DPER08 DPER10 DPER12 DPER14 DPER16 DPER21 DPER22 DPER32 DPER35 LR3D01 LR3D016 LR3D02 LR3D026 LR3D03 LR3D036 LR3D04 LR3D046 LR3D05 LR3D056 LR3D06 LR3D066 LR3D07 LR3D076 LR3D07L LR3D08
Total representative product mass	124 g
Representative product dimensions	66mm x 45mm x 70mm
Accessories	No
Date of information release	08-2024

## Additional information

<b>Legal information</b>	This product family is in the scope of European Union directive 2012/19/EU on Waste Electrical and Electronic Equipment (WEEE). The product family must be disposed according to the legislation of the country. This document is intended for use by end of life recyclers or treatment facilities. It provides the basic information to assure an appropriate end of life treatment for the components and materials of the product.	
<b>In case of special transportation: transportation method</b>	No	
<b>Recyclability potential</b>	<b>50%</b>	Recyclability rate has been calculated based on REEECY <sup>LAB</sup> tool developed by Ecosystem, for components/materials not covered by the tool, data from the "ECO' DEEE recyclability and recoverability calculation method" was taken. If no data was found a conservative assumption was used (0% recyclability).

Schneider Electric Industries SAS  
Country Customer Care Center  
<http://www.se.com/contact>  
35, rue Joseph Monier  
CS 30323  
F- 92500 Rueil Malmaison Cedex  
RCS Nanterre 954 503 439  
Capital social 928 298 512 €

[www.se.com](http://www.se.com)

ENVEOLI0802006\_V3

Published by Schneider Electric

© 2023 - Schneider Electric – All rights reserved

08-2024