

Product End of Life Instructions

Logic Controller - Modicon M241



 **Potential disassembly risks**

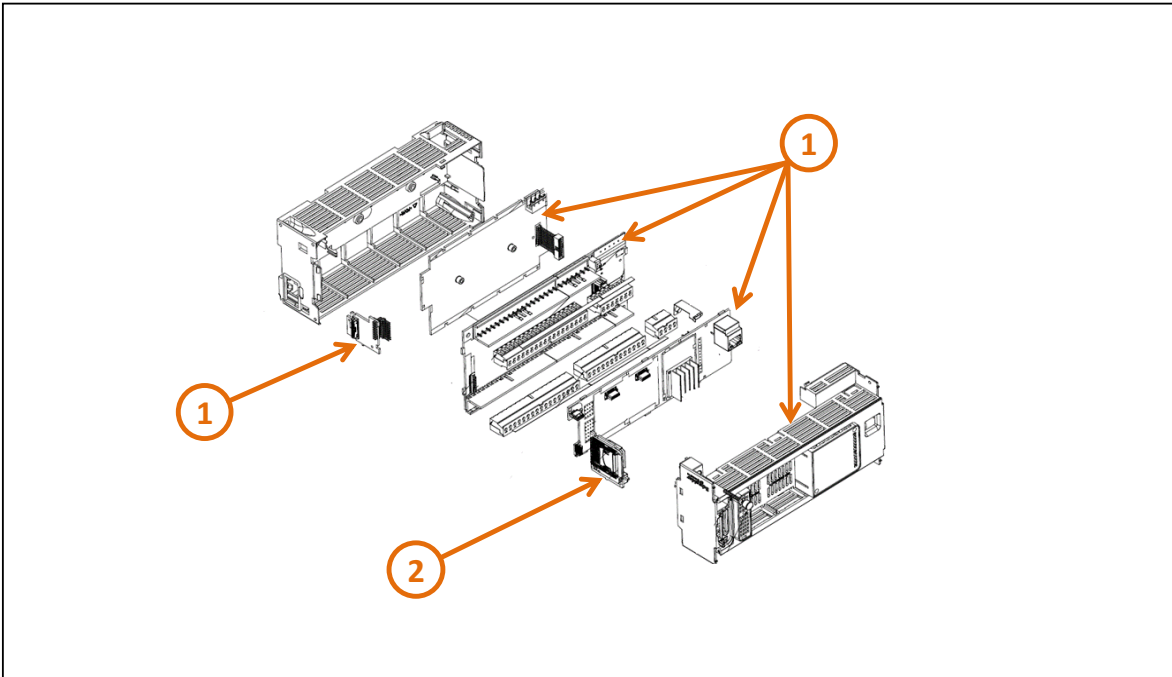
⚠ WARNING

HAZARD OF ARC FLASH OR FIRE

- Disconnect battery terminals before disassembly
- Avoid any electrical connection between the terminals

Failure to follow these instructions can result in death or serious injury.

 **End of Life Instructions**



Recommendation	Number on drawing	Component / Material	Weight (in g)	Comment
To be depolluted	1	Electronic Board	412.657459	PCBA
To be depolluted	2	Battery	2.5	Coin-type battery



Product description

Manufacturer identification	Schneider Electric Industries SAS
Brand name	Schneider Electric
Product function	The main purpose of the Modicon M241 Logic Controller is to provide a new range compact logic controller with embedded regular and fast I/O and field buses.
Product reference	TM241CE40U
Additional similar product references	TM241CEC24T TM241CEC24U TM241C24U TM241C40U TM241CE24U TM241C24T TM241C40T TM241CE24T TM241CE40T TM241CEC24R TM241C24R TM241C40R TM241CE24R TM241CE40R
Total representative product mass	620 g
Representative product dimensions	90mm x 190mm x 95mm
Accessories	No
Date of information release	11-2024



Additional information

Legal information	This product family is in the scope of European Union directive 2012/19/EU on Waste Electrical and Electronic Equipment (WEEE). The product family must be disposed according to the legislation of the country. This document is intended for use by end of life recyclers or treatment facilities. It provides the basic information to assure an appropriate end of life treatment for the components and materials of the product.	
In case of special transportation: transportation method	No	
Recyclability potential	4%	Recyclability rate has been calculated based on REEECY'LAB tool developed by Ecosystem, for components/materials not covered by the tool, data from the "ECO'DEEEE recyclability and recoverability calculation method" was taken. If no data was found a conservative assumption was used (0% recyclability).

Schneider Electric Industries SAS
Country Customer Care Center
<http://www.se.com/contact>
35, rue Joseph Monier
CS 30323
F- 92500 Rueil Malmaison Cedex
RCS Nanterre 954 503 439
Capital social 928 298 512 €

www.se.com

ENVEOLI1307080_V4

Published by Schneider Electric

© 2023 - Schneider Electric – All rights reserved

11-2024