

Product End of Life Instructions

HMISTO HMI KILIN SE RS232_TB

Harmony STO



 **Potential disassembly risks**

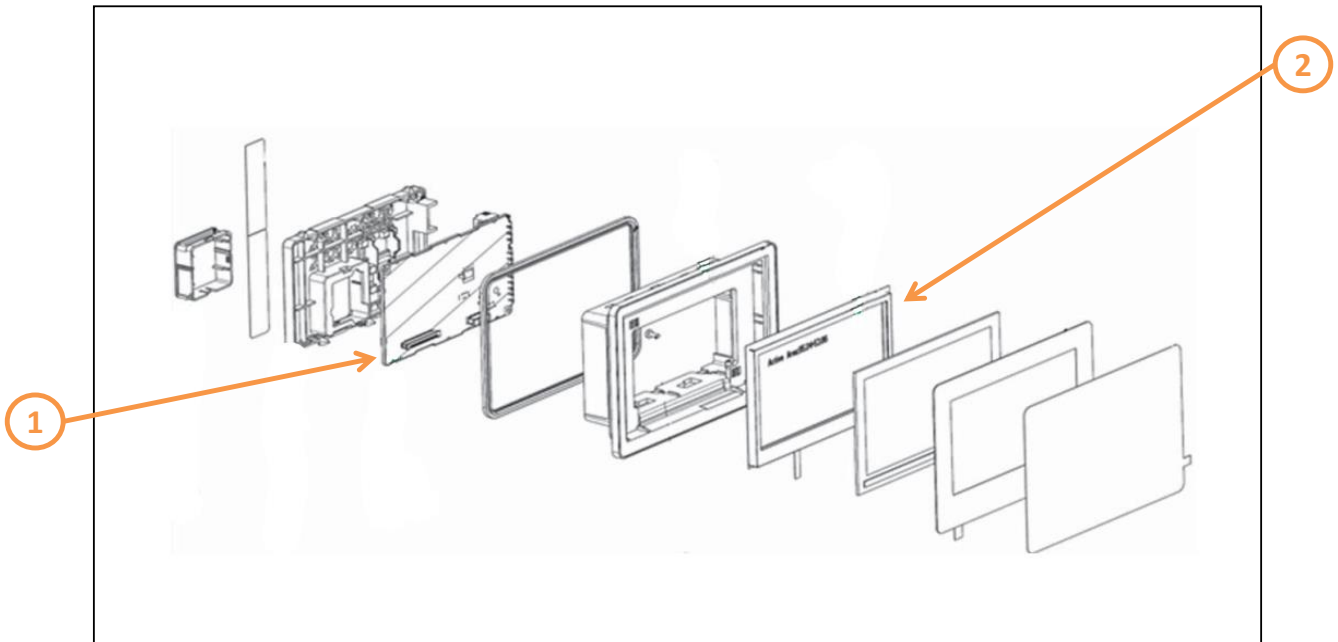
⚠ WARNING

HAZARD OF ARC FLASH OR FIRE

- Disconnect battery terminals before disassembly
- Avoid any electrical connection between the terminals

Failure to follow these instructions can result in death or serious injury.

 **End of Life Instructions**



Recommendation	Number on drawing	Component / Material	Weight (in g)	Comment
To be depolluted	1	Electronic Board (Communication) > 10cm ²	62.14	1xPCBA
To be depolluted	2	LCD (surface > 100cm ²) and all those back-lighted with gas discharge lamps	45	LCD screen
Other		Cover, Housing, etc	172.86	Except for the above parts



Product description

Manufacturer identification	Schneider Electric Industries SAS
Brand name	Schneider Electric
Product function	The main purpose of the offer Magelis ColorModel is to provide a human machine interface with serial link or Ethernet communication
Product reference	HMISTO705
Additional similar product references	HMISTO715 HMISTO735
Total representative product mass	280 g
Representative product dimensions	90.4mm x 124.9mm x 38.8mm
Accessories	No
Date of information release	2024/09/04

Additional information

Legal information	This product family is in the scope of European Union directive 2012/19/EU on Waste Electrical and Electronic Equipment (WEEE). The product family must be disposed according to the legislation of the country. This document is intended for use by end of life recyclers or treatment facilities. It provides the basic information to assure an appropriate end of life treatment for the components and materials of the product.	
In case of special transportation: transportation method	No special transportation.	
Recyclability potential	17%	Recyclability rate has been calculated based on REEECY'LAB tool developed by Ecosystem, for components/materials not covered by the tool, data from the "ECO'DEEE recyclability and recoverability calculation method" was taken. If no data was found a conservative assumption was used (0% recyclability).

Schneider Electric Industries SAS
Country Customer Care Center
<http://www.schneider-electric.com/contact>
35, rue Joseph Monier
CS 30323
F- 92500 Rueil Malmaison Cedex
RCS Nanterre 954 503 439
Capital social 928 298 512 €

www.se.com

ENVEOLI1511015_V3

Published by Schneider Electric

© 2023 - Schneider Electric – All rights reserved

2024/09/04