



MINIZED, fuse switch disconnecter, D01, 1-pole, In: 16 A, Un AC: 230 V

Model	
product brand name	MINIZED
product designation	Fuse switch disconnecter
General technical data	
number of poles	1
size of fuse system according to EN 60269-1	D01
overvoltage category	4
Voltage	
surge voltage resistance rated value	6 kV
Supply voltage	
operating voltage at AC rated value	230 V
Protection class	
protection class IP	IP20, with connected conductors
Dissipation	
power loss [W] for rated value of the current at AC in hot operating state per pole	0.1 W
Product details	
product feature sealable	Yes
Connections	
tightening torque with screw-type terminals	
• minimum	2.5 N·m
• maximum	3 N·m
Mechanical Design	
height	70 mm
width	18 mm
depth	88 mm
mounting position	any, preferably vertical
net weight	76 g
Approvals Certificates	
General Product Approval	other



[Confirmation](#)



[Confirmation](#)

other

Environment

[Miscellaneous](#)

[Environmental Con-](#)

[Environmental Con-](#)

Further information**Information on the packaging**

<https://support.industry.siemens.com/cs/ww/en/view/109813875>

Information- and Downloadcenter (Catalogs, Brochures,...)

<http://www.siemens.com/lowvoltage/catalogs>

Industry Mall (Online ordering system)

<https://mall.industry.siemens.com/mall/en/en/Catalog/product?mlfb=5SG7611-0KK16>

Service&Support (Manuals, Certificates, Characteristics, FAQs,...)

<https://support.industry.siemens.com/cs/ww/en/ps/5SG7611-0KK16>

Image database (product images, 2D dimension drawings, 3D models, device circuit diagrams, ...)

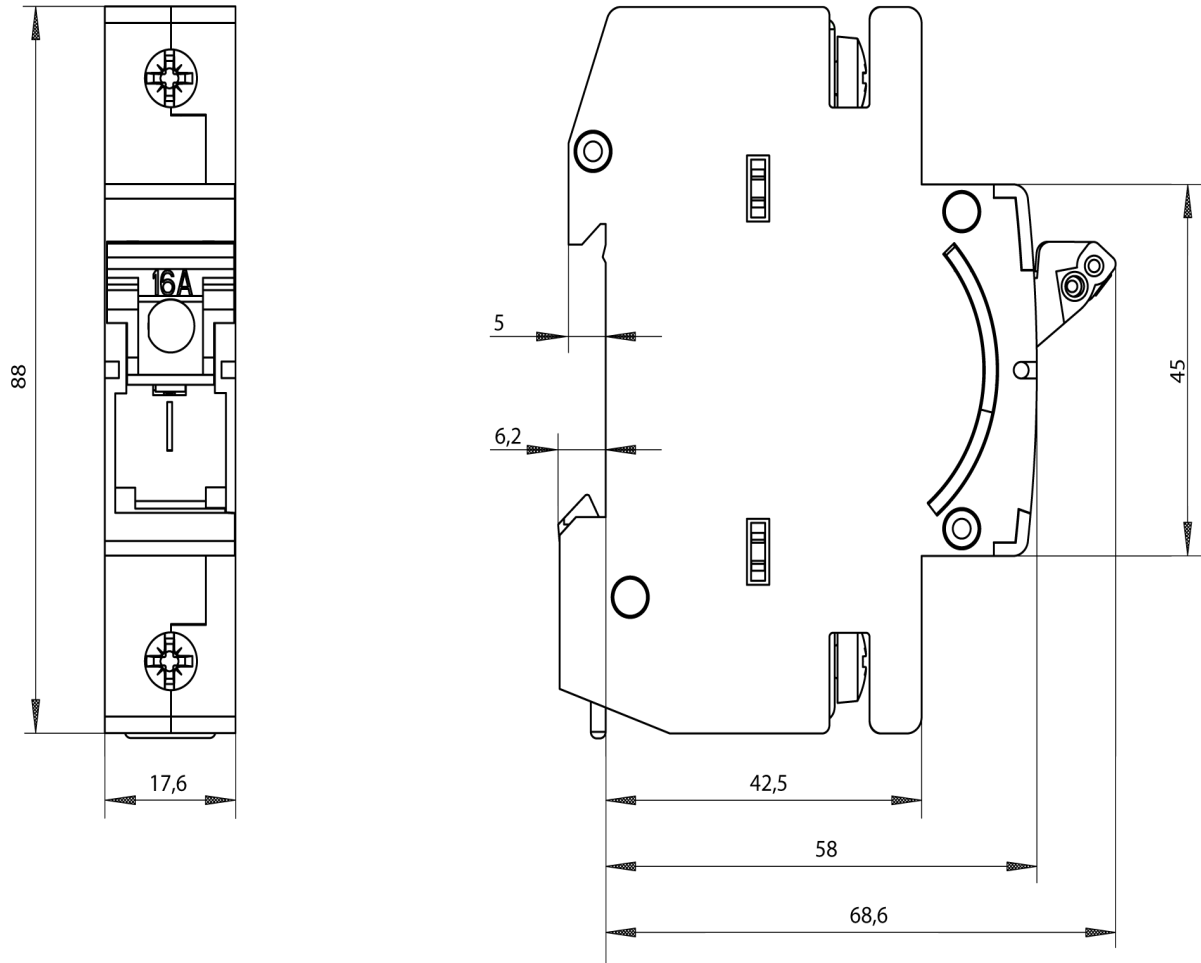
http://www.automation.siemens.com/bilddb/cax_en.aspx?mlfb=5SG7611-0KK16

CAX-Online-Generator

<http://www.siemens.com/cax>

Tender specifications

<http://www.siemens.com/specifications>



last modified:

7/3/2024 

